

# TEK799N2

Product Overview



**Tek-Industrial**  
*T o u c h s c r e e n   S o l u t i o n s*



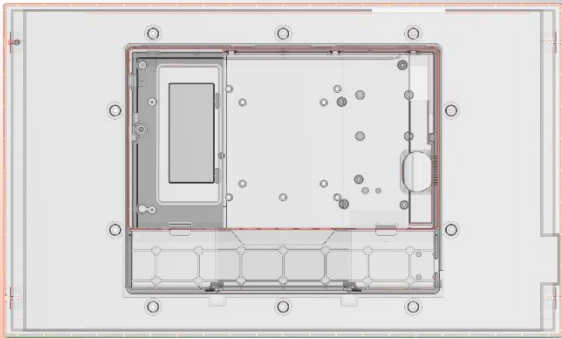
# 21.5 inch

---

Stainless Steel Panel PC



# Waterproof Front IP54-

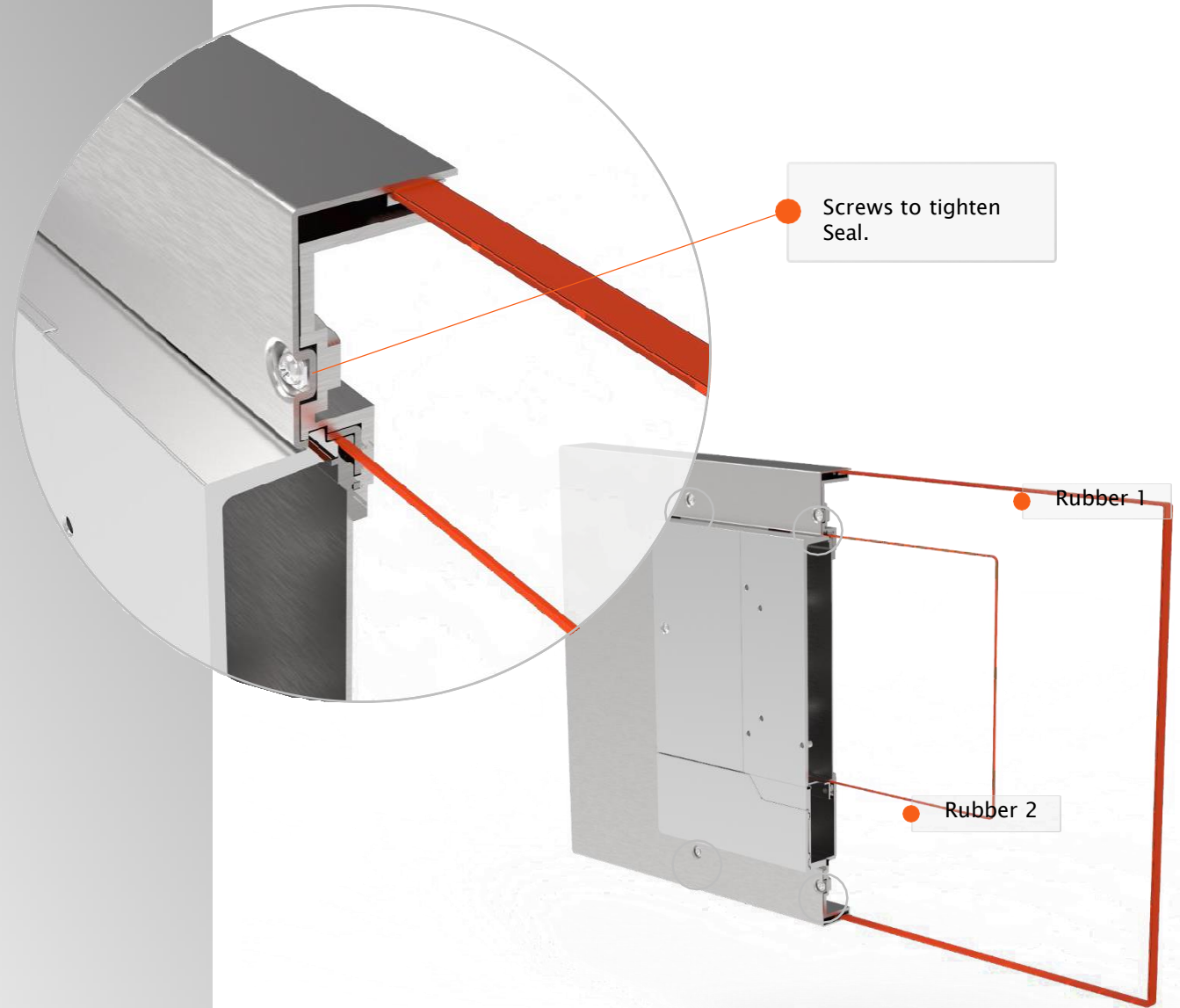


*Equipped with 2 rubber rings to seal the device from water droplets.*



# Waterproof Seal-

Rubber rings are looped around the leak-prone area, which will be tightened and sealed with the screws.





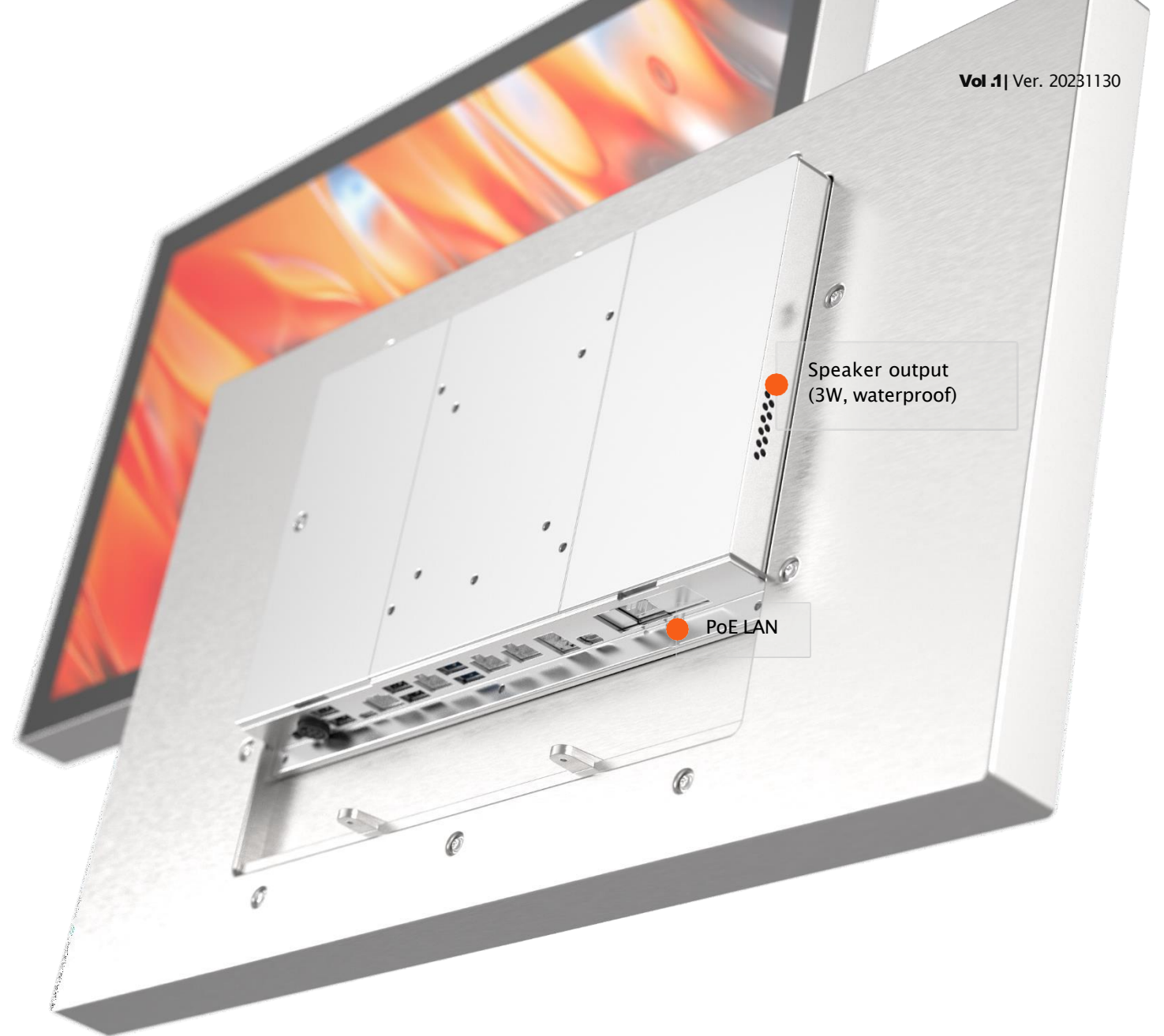
# Modular Design-

Detachable PC module, can be used separately as a Box PC.

# Speaker & Expansions-

Supports optional I/O expansion:

1. PoE LAN (RJ45(1))
2. PUSB Board (PUSB Board 12V(2); 24V(1))



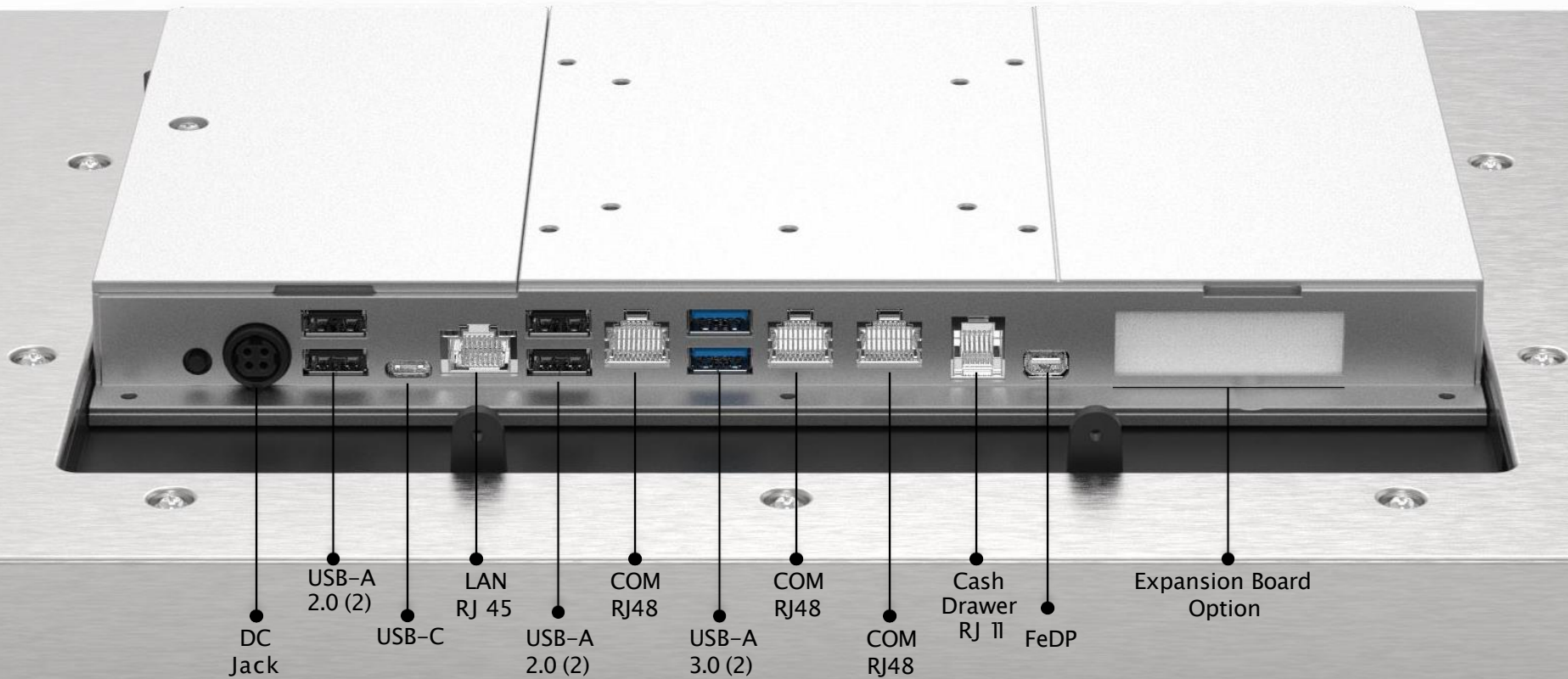


# Easy Service-

Rear service door for storage  
expansion card, with waterproof protection.

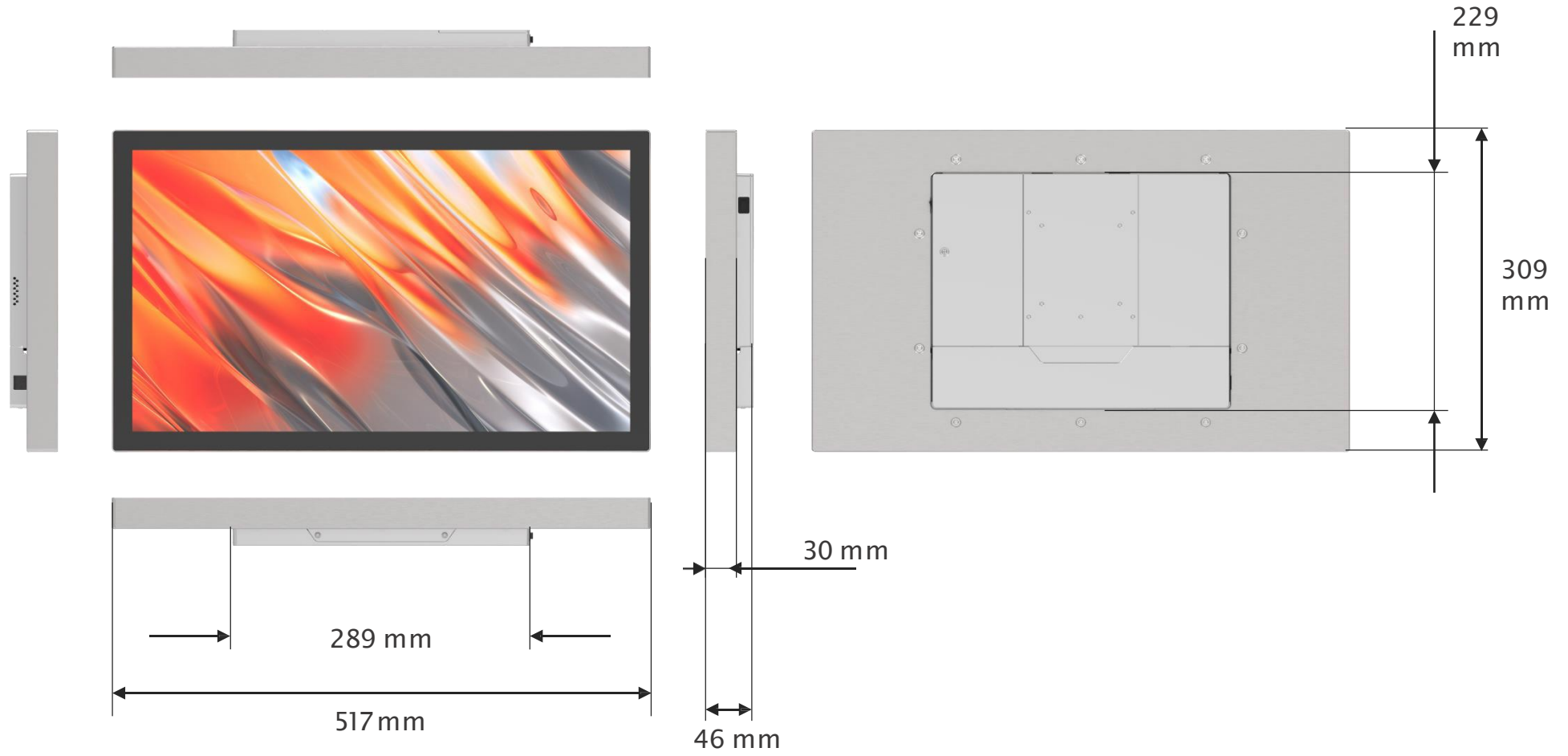


# I/O Ports





# Product Dimension



<b>TEK799N2</b>	
Mainboard	F35
CPU	Intel Elkhart Lake CPU J6412 2.60 GHz
Chipset	CPU Integrated
System memory	1x DDR4 3200MHz SO-DIMM
<b>LCD/Touch Panel</b>	
LCD size	21.5" LED Panel
Brightness	250 nits
Maximal resolution	1920 x 1080 (full HD)
Touch screen type	True-Flat PCAP Multi-touch
<b>Storage</b>	
Flash memory	1x M.2 M Key for SATA or NVME SSD
<b>Communication</b>	
Wireless LAN (option)	802.11 a/b/g/n/ac WLAN+BT card & antenna
<b>External I/O Ports</b>	
USB Type-A	2x USB3.0, 4x USB2.0
USB Type-C	1x Type C full-functional (PD source 5V(3A) / 12V(3A))
Serial / COM	3 x RJ48 support full pin (0V/5V/12V; default BIOS setting 0V)
LAN	1x RJ45
Cash drawer	1x RJ11
Mini display port	1x Proprietary miniDP (for 2nd display)
DC jack	4 pin DC IN (with latch)
<b>Control/ Indicate</b>	
Power button	1
<b>Audio</b>	
Speaker	1x 3W

<b>Power</b>	
Power adapter	External 65W/19V DC Power Adapter
POE (option)	POE, Switch must meet 802.3bt Type 3
<b>Environment</b>	
EMC & Safety	FCC Class A, CE mark Class A, LVD
Operating temperature	0°C ~ 40°C (32°F ~ 104°F)
Storage temperature	-20° ~ 60°C (-4°F ~ 140°F)
Humidity	20% – 85% RH non-condensing
Dust & Water Proof	Front IP54
Weight	TBD
Dimensions (W x H x D)mm	517 x 309 x 46
OS support	Windows 10 IoT Enterprise, Linux, Android 13.0